


PRODUCT SHEET

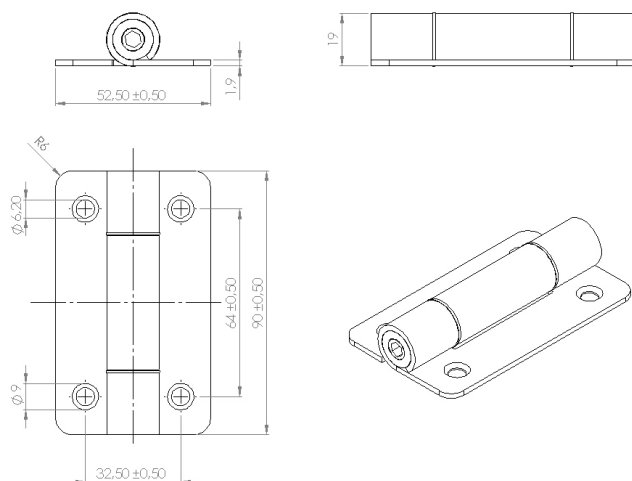
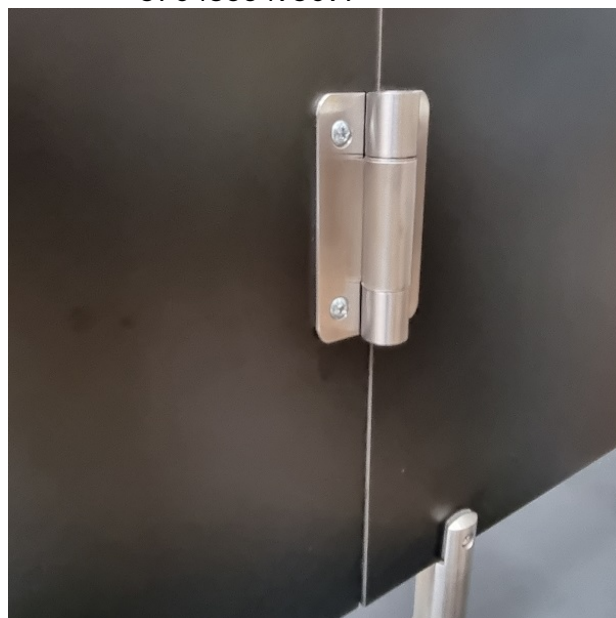
Description:

Door Hinge 90x52x2mm, W/Spring Function, SS304 Brushed, Universal, Spring Can Be Adjusted to Either Open Or Close, Automatically. Supplied as Standard In Open/Flat Position,, F/Inset Doors

Item number:

22.23.165-2

Units	Box	Carton	HS Code	Barcode
Pcs.	2	100	8302100090	
				5704866495097



SISO A/S

Mileparken 11
DK-2740 Skovlunde
Denmark
VAT: DK 24786013

Phone +45 45 830 900

www.siso.dk
siso@siso.dk

Danske Bank
Nytorv Branch
Copenhagen
SWIFT: DABADKKK

Account no.
4180 3112 112936
IBAN Account
DK7230003112112936